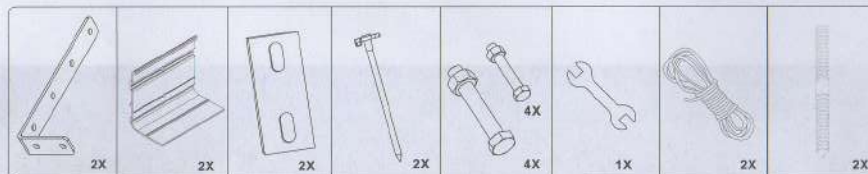


PACKAGE CONTENTS



L shape bracket Bracket Heel block Peg Bolt Wrench Rope Floor nail

⚠️ INSTALLATION INSTRUCTION

1. Installation should be carried out by experienced installation person.
2. Before installation, please ensure that the vehicle has a luggage rack or luggage frame to facilitate the fixing of awning.
If the luggage rack has been installed, Please follow the steps below and choose the appropriate way to fix the awning brackets.



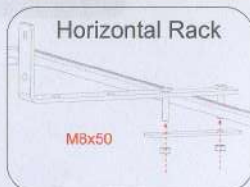
⚠️ Before installing the awning, it is recommended to open the trunk lid to ensure that the car lid won't touch the awning cassette to avoid unnecessary damage!

L SHAPE BRACKET AND ROOF RACK CONNECTION

1. Please open the package and find the accessory kit bag.
2. Take out the L-shaped bracket and fixation screws, and fix bracket in the appropriate position of the luggage rack.

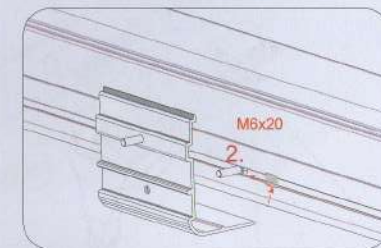
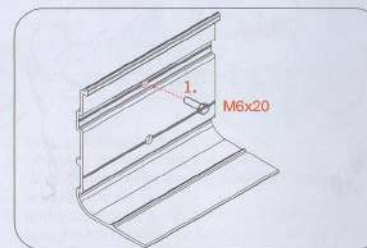


⚠️ Suggested two brackets distance over 1m

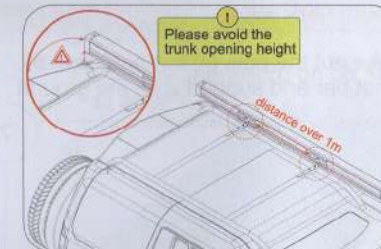
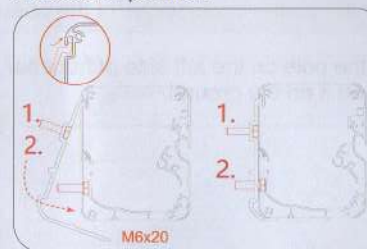


AWNING BRACKET INSTALLATION STEP

1. Insert the screw into hole No.1 from the inside of bracket.
2. Put another screw into hole No.2 and slide it along the track to appropriate point.

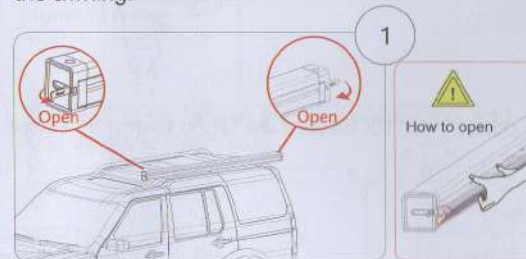


3. Insert the screw in hole No.2 into the hole corresponding to the bracket, and adjust the distance of bracket based on the installation position.
4. Connect the awning bracket with L shape bracket and lock all mounting screws securely.

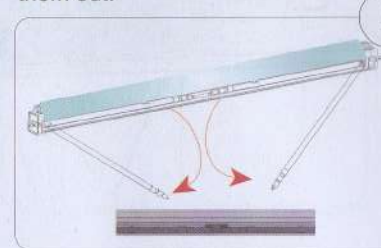


OPEN STEP

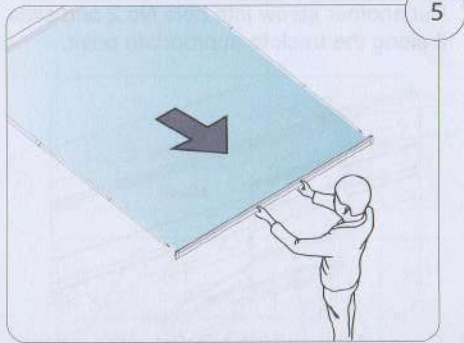
1. Open the safety spanner on both sides of the awning.
2. Pull awning front bar to a position of 20cm-30cm, lock the fabric, and place it on the top shell for convenient operation.



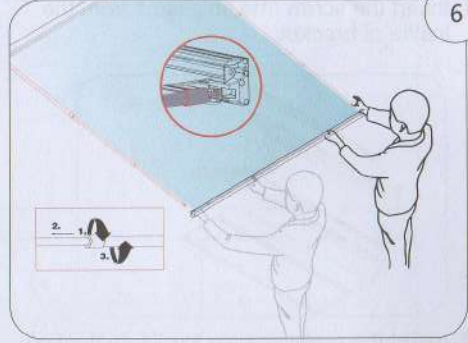
3. Take out the left and right arms and pull them out.
4. Please extend your two arms completely.



5. Continue to pull out awning to fully open and pull to lock fabric.



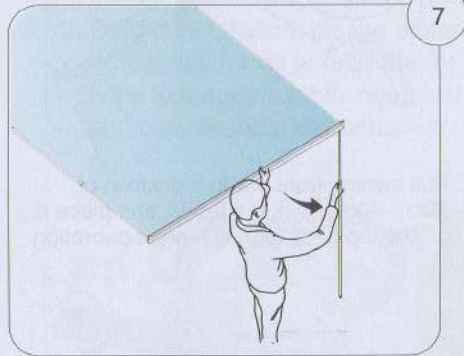
6. Extend the arms on both sides to support the front bar and tighten the arms.



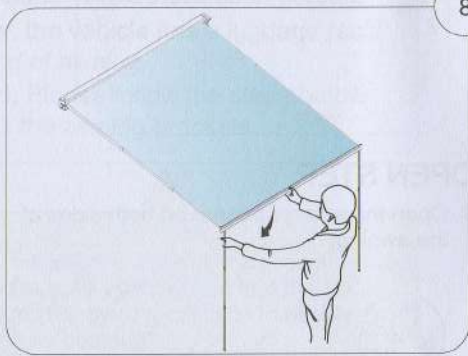
⚠ PRECAUTIONS

The arm must support the front rod to prevent damage to the corner accessories of the pole.

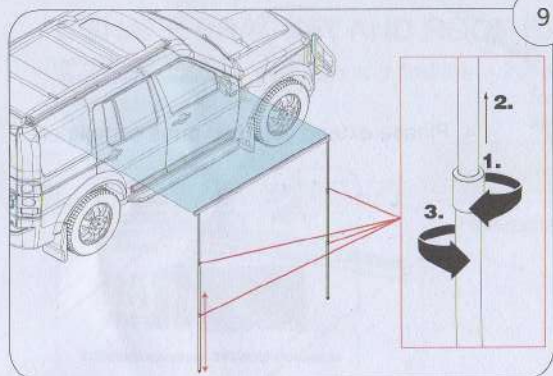
7. Take out the pole on the right side of front bar and support it on the ground.



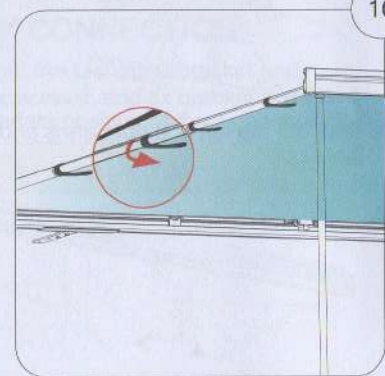
8. Take out the pole on the left side of front bar and support it on the ground.



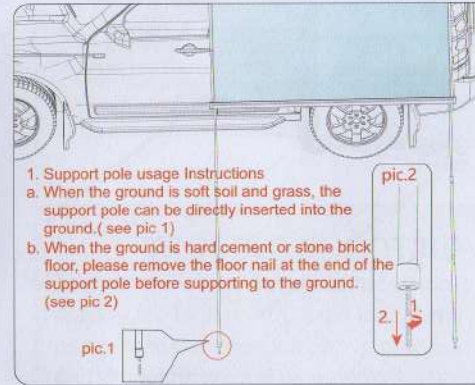
9. Adjust the support height by rotating the pole.



10. Secure the fabric to arm by velcro.



USAGE PRECAUTIONS



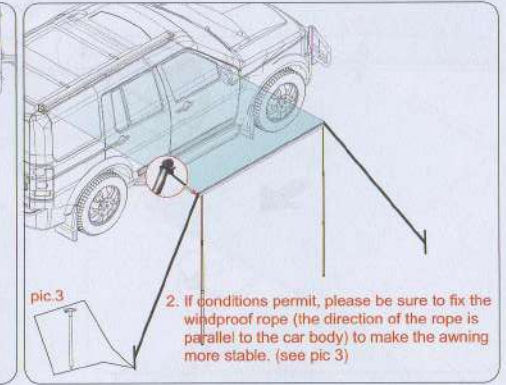
1. Support pole usage instructions

a. When the ground is soft soil and grass, the support pole can be directly inserted into the ground. (see pic 1)

b. When the ground is hard cement or stone brick floor, please remove the floor nail at the end of the support pole before supporting to the ground. (see pic 2)

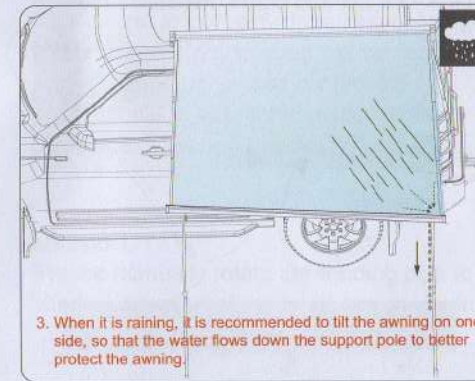
pic.1

pic.2



pic.3

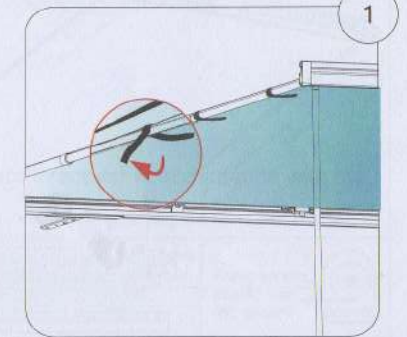
2. If conditions permit, please be sure to fix the windproof rope (the direction of the rope is parallel to the car body) to make the awning more stable. (see pic 3)



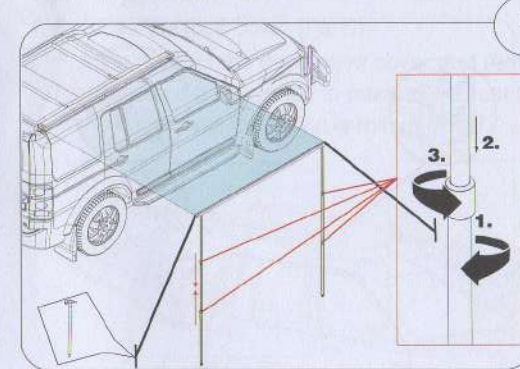
3. When it is raining, it is recommended to tilt the awning on one side, so that the water flows down the support pole to better protect the awning.

CLOSE STEP

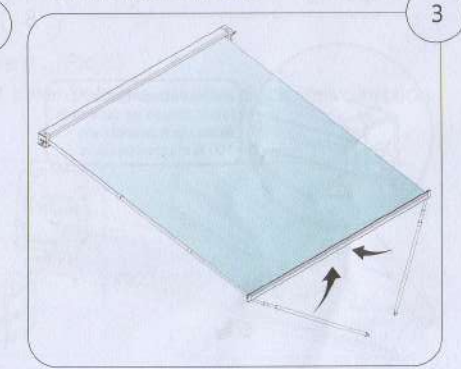
1. Release the Velcro on both sides of arm.



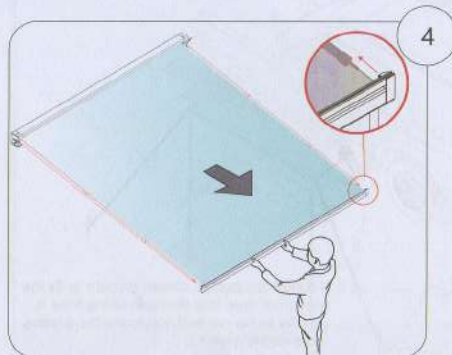
2. Take out pegs, loosen the wind proof rope, and fold up the support pole.



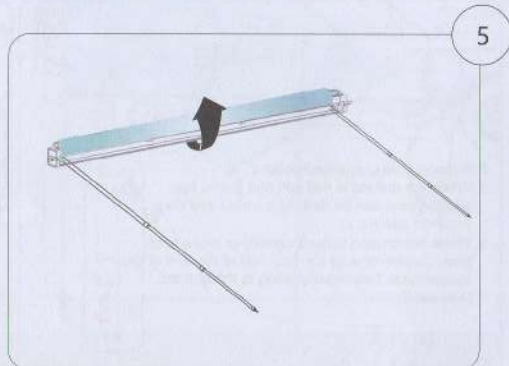
3. Put the folded pole into front bar and fix it in the front bar.



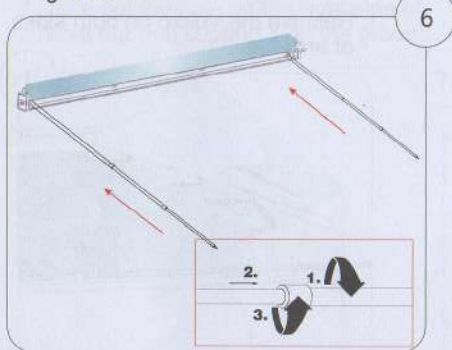
4. Pull the front bar to release the arms and the spring is automatically unlocked, the fabric will retract automatically.



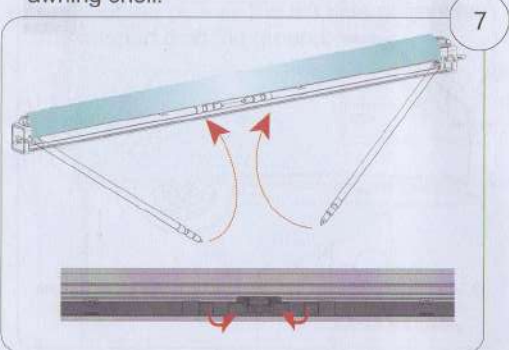
5. Fabric automatically retract to the appropriate position 20 - 30 cm, gently pull the front bar to lock the fabric automatically, placed front bar on the top shell.



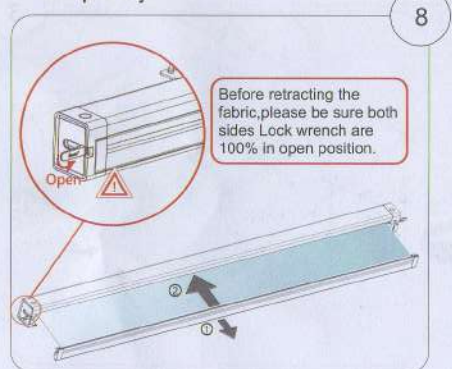
6. Rotate the pole and fold the left and right arms.



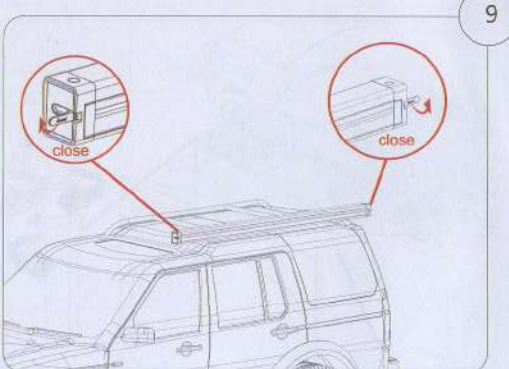
7. Place your left and right arms inside the awning shell.



8. Gently pull the front bar again to unlock the fabric and make the fabric rewind completely.

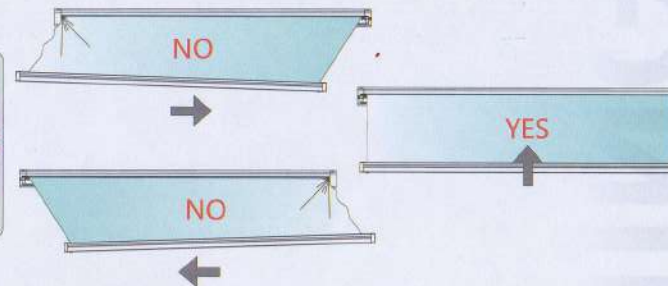


9. Lock the wrenches on the left and right ends of awning to lock front bar.



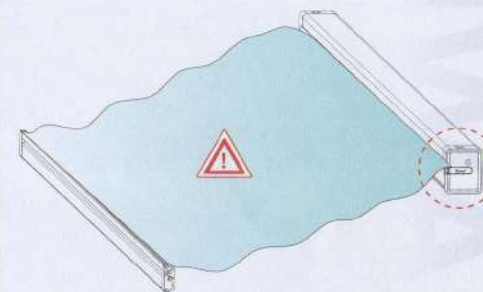
ATTENTION

When close awning, please keep the fabric flat and the front rod horizontal. Otherwise, the fabric can not be completely withdrawn or the awning may be damaged.



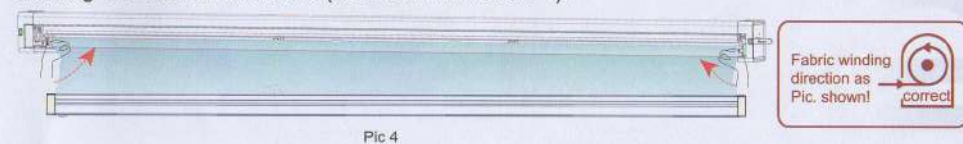
TROUBLE SHOOTING

All awnings will be strictly tested before leaving the factory, but in the long-term use process, the torsion spring may fail and the fabric cannot be automatically rolled back. For driving safety, please follow the steps below to roll back the fabric urgently, and when the car returns to a safe place, please contact the manufacturer to purchase accessories to replace the spring system.



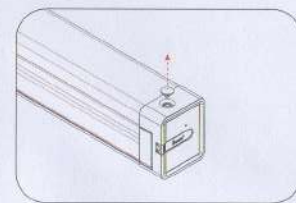
Method 1

Please manually rotate the winding pipe to make the fabric recover in accordance with the winding direction of the fabric (as shown in Picture 4).

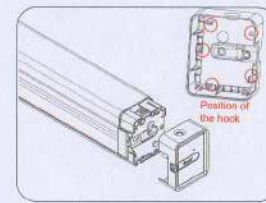


Method 2

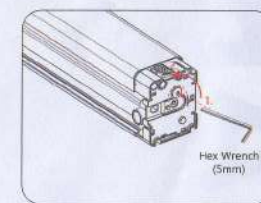
1. Remove the lock cover (Pic 5)
2. Pull the hook of the decorative cover and remove it. (Pic 6)
3. Please use a hex wrench to manually adjust the inner bolt in a counterclockwise direction in the figure until the fabric is roll up. (Pic 7)



Pic 5



Pic 6



Pic 7